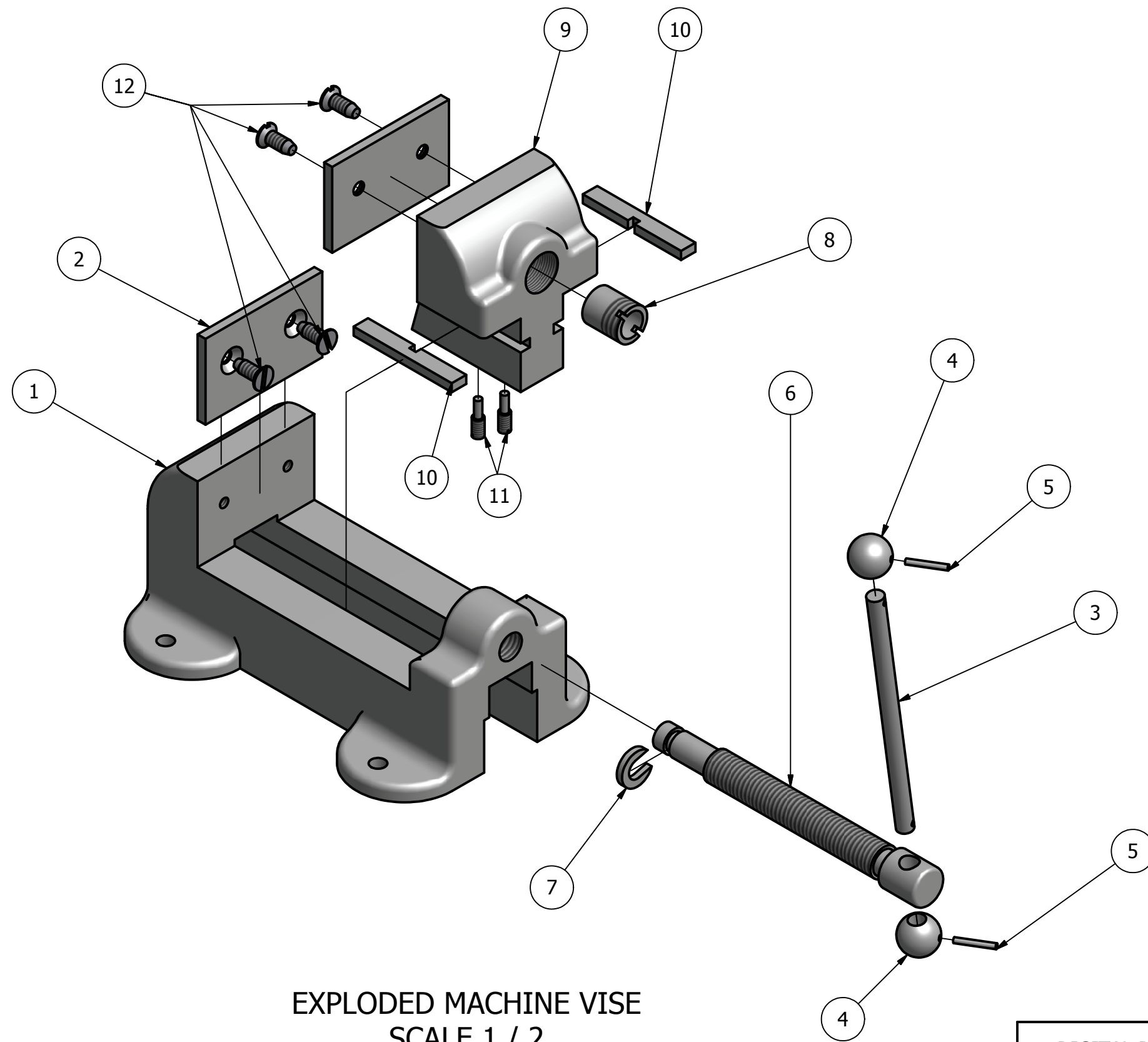


MACHINE VISE

PARTS LIST				
ITEM	QTY	PART NAME	DESCRIPTION	MATERIAL
1	1	BASE		C1
2	2	JAW PLATE		SAE #3140
3	1	HANDLE ROD		C R S
4	2	HANDLE BALL		SAE #1020
5	2	TAPER PIN	#000	STEEL
6	1	WISE SCREW		SAE #3140
7	1	SPECIAL KEY		SAE #1020
8	1	COLLAR		SAE #1020
9	1	SLIDING JAW		C1
10	2	SLIDE KEY		SAE #1020
11	2	SET SCREW		SAE #1016
12	4	ANSI B18.6.4 - 1/4 - 14 - 5/8	SLOTTED 100° FLAT COUNTERSUNK HEAD TAPPING SCREW - TYPE B	STEEL, MILD

DIGITAL DESIGN GRAPHICS TECHNOLOGY	NAME:	JIM KISIEL	DWG NAME:	MACHINE VISE	SHEET NO.	1 OF 6
	COURSE:	DDGT 121				
	DATE:	1/27/2011				

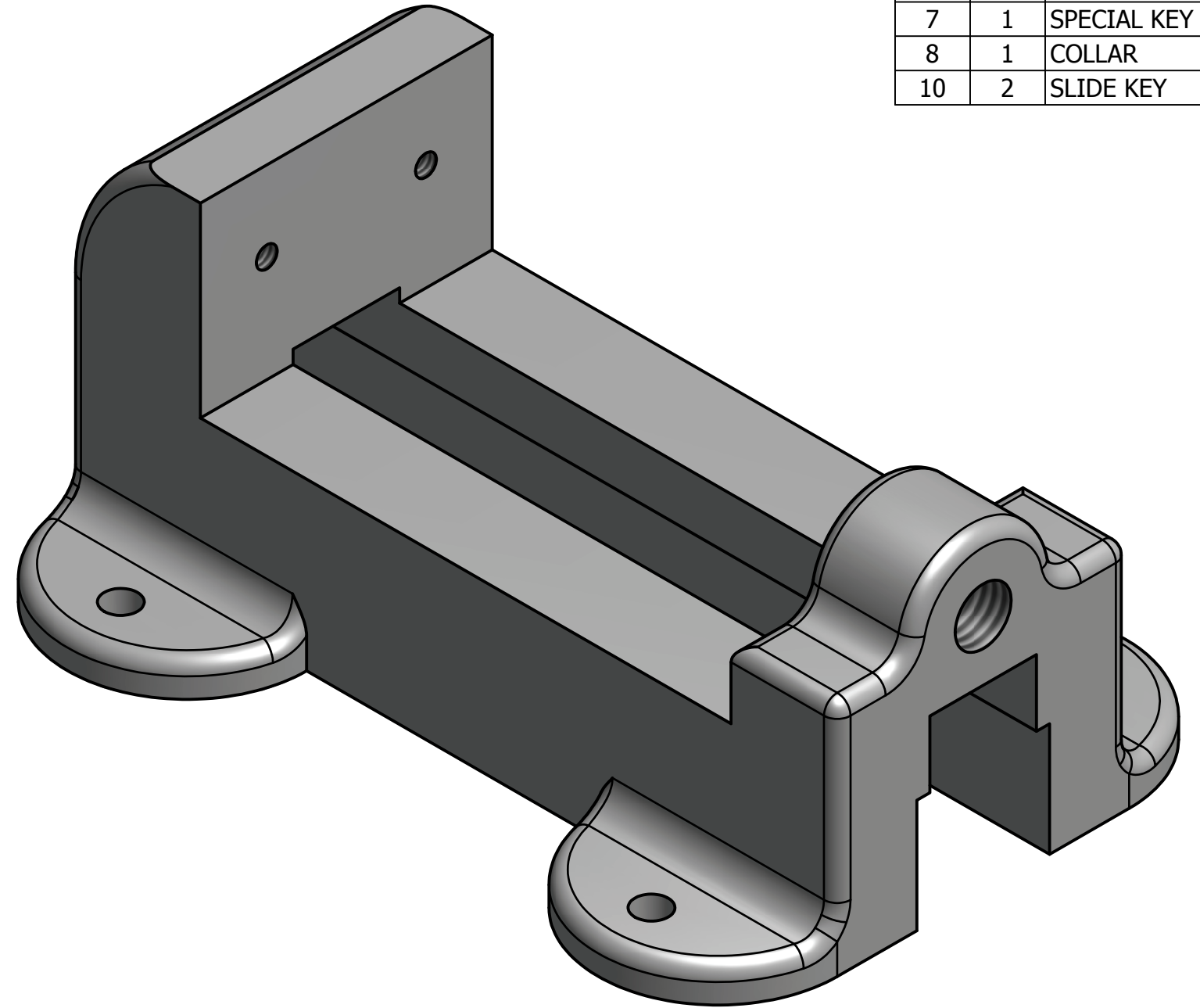
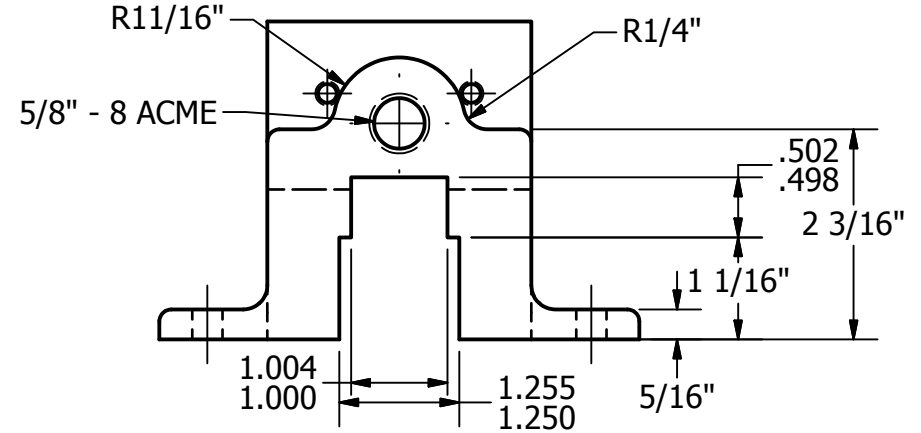
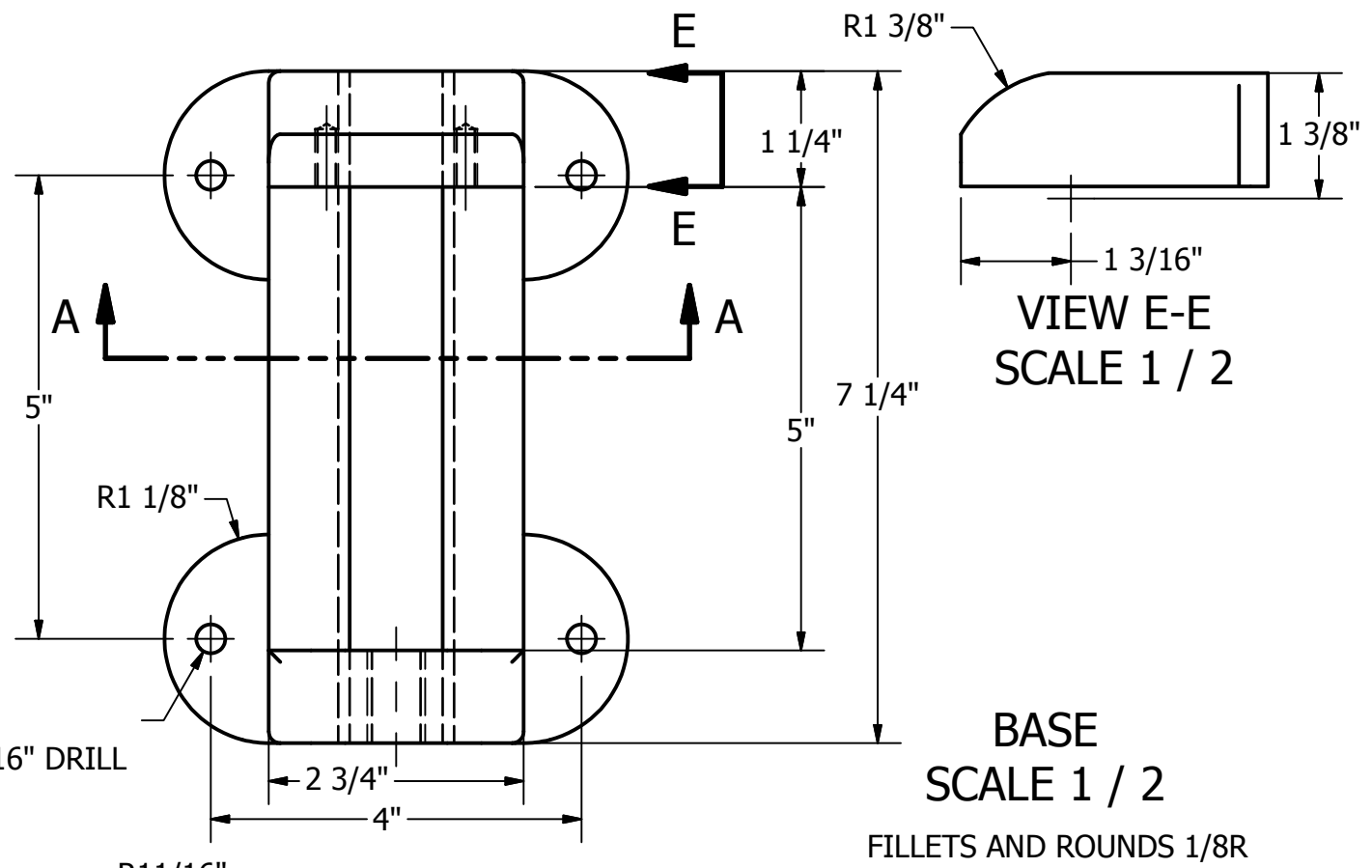
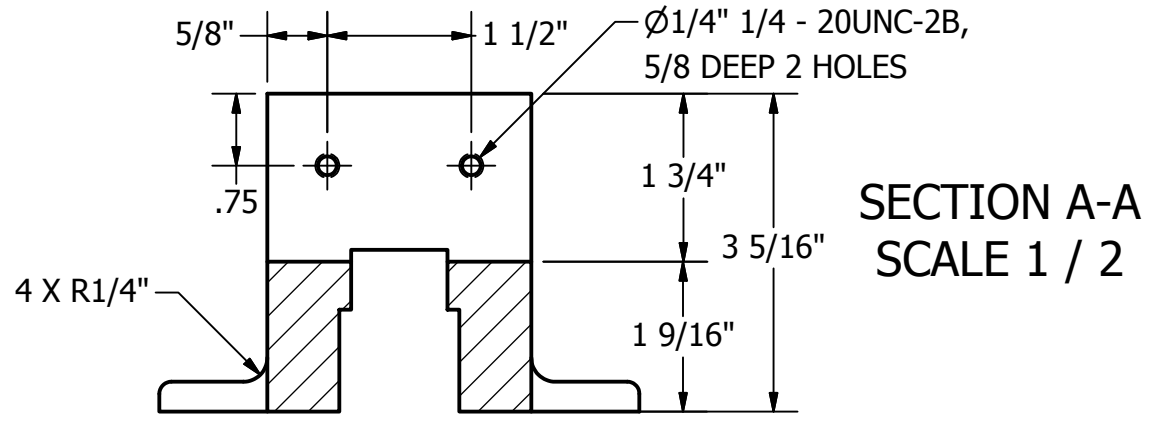
PARTS LIST		
ITEM	QTY	PART NAME
1	1	BASE
2	2	JAW PLATE
3	1	HANDLE ROD
4	2	HANDLE BALL
5	2	TAPER PIN
6	1	WISE SCREW
7	1	SPECIAL KEY
8	1	COLLAR
9	1	SLIDING JAW
10	2	SLIDE KEY
11	2	SET SCREW
12	4	ANSI B18.6.4 - 1/4 - 14 - 5/8



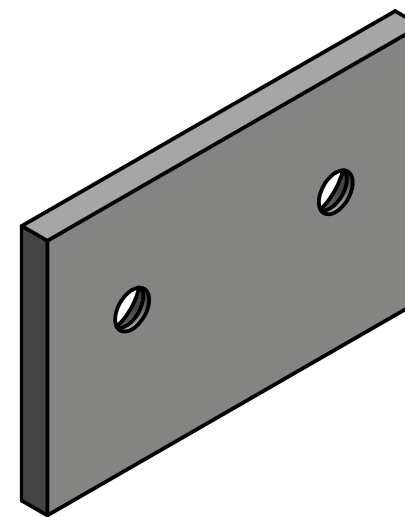
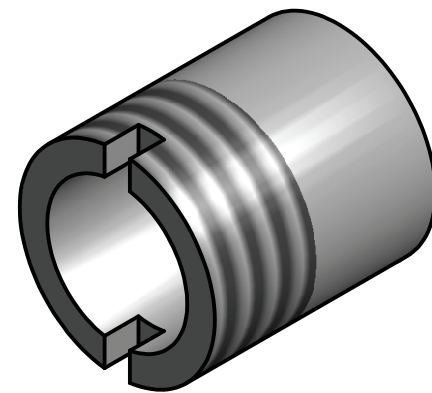
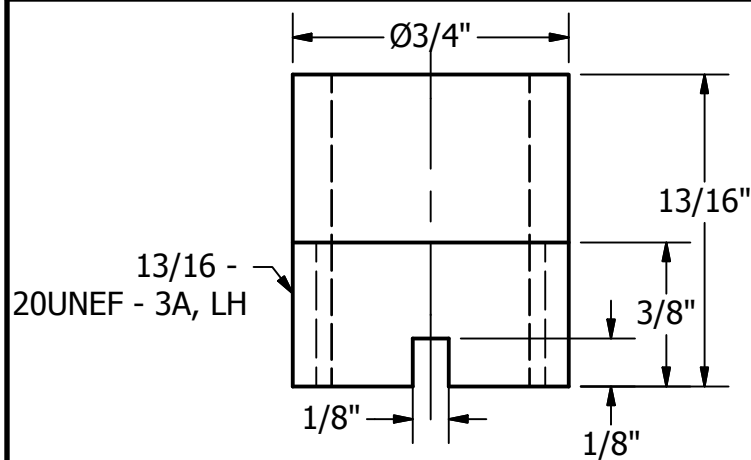
EXPLODED MACHINE VISE
SCALE 1 / 2

DIGITAL DESIGN GRAPHICS TECHNOLOGY	NAME:	JIM KISIEL	DWG NAME:	MACHINE VISE	SHEET NO.	2 OF 6
	COURSE:	DDGT 121				
	DATE:	1/27/2011				

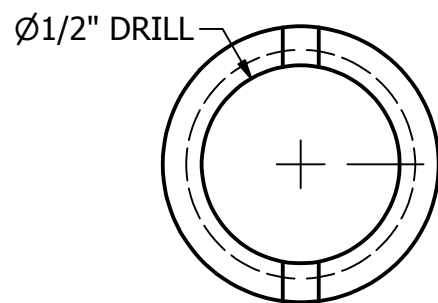
PARTS LIST		
ITEM	QTY	PART NAME
1	1	BASE
2	2	JAW PLATE
5	2	TAPER PIN
7	1	SPECIAL KEY
8	1	COLLAR
10	2	SLIDE KEY



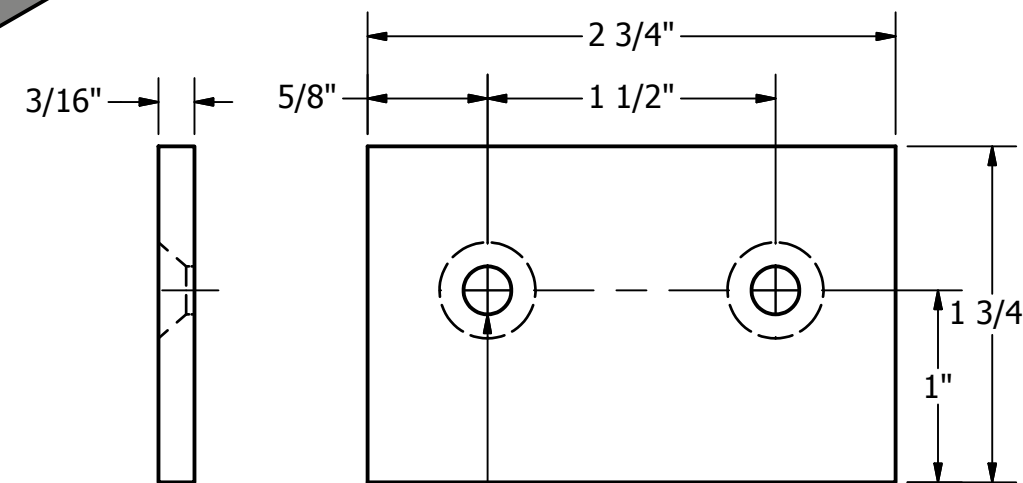
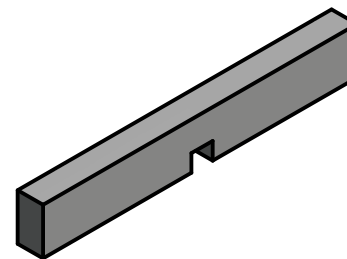
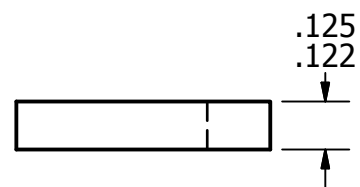
DIGITAL DESIGN GRAPHICS TECHNOLOGY	NAME:	JIM KISIEL	DWG NAME:	MACHINE VISE	SHEET NO.	3 OF 6
	COURSE:	DDGT 121				
	DATE:	1/27/2011				



PARTS LIST		
ITEM	QTY	PART NAME
1	1	BASE
2	2	JAW PLATE
5	2	TAPER PIN
7	1	SPECIAL KEY
8	1	COLLAR
10	2	SLIDE KEY

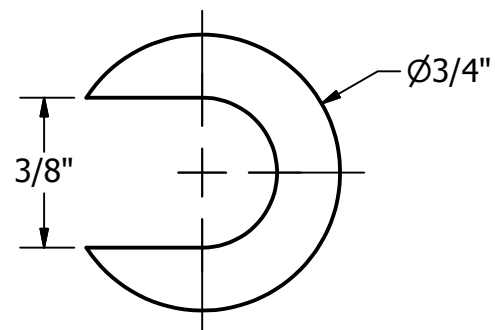


COLLAR
SCALE 2 : 1

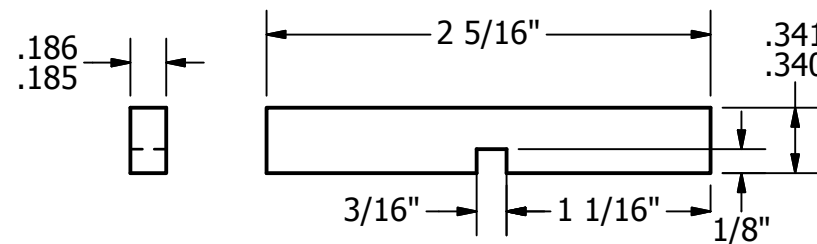


2 X DRILL AND CSK FOR
1/4 FL HD MACH SCR

JAW PLATE
SCALE 1 : 1



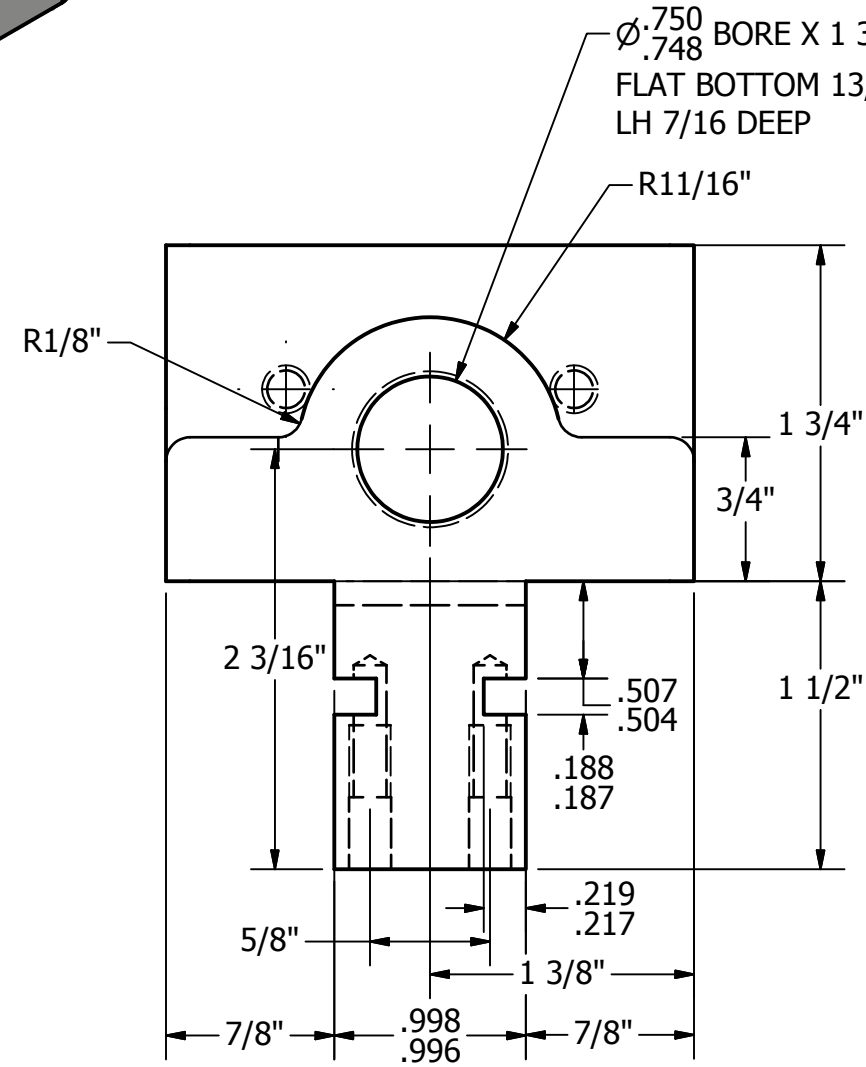
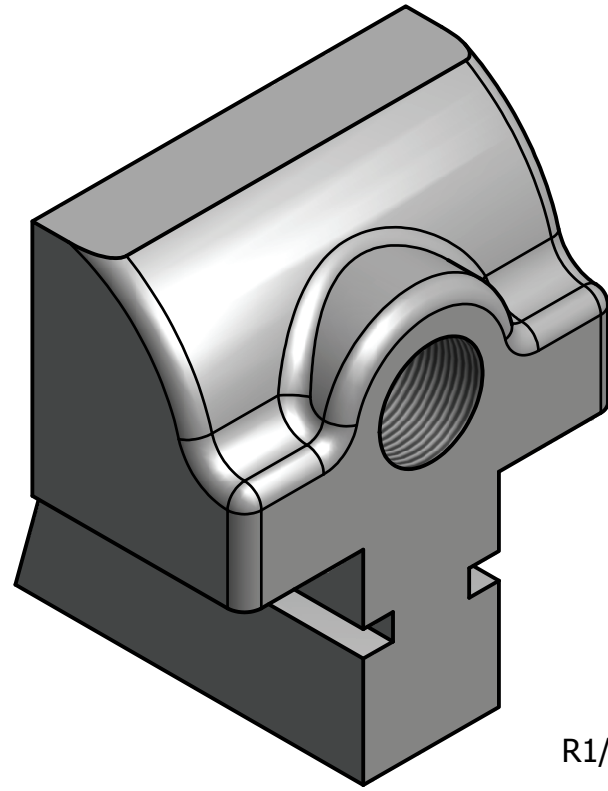
SPECIAL KEY
SCALE 2 : 1



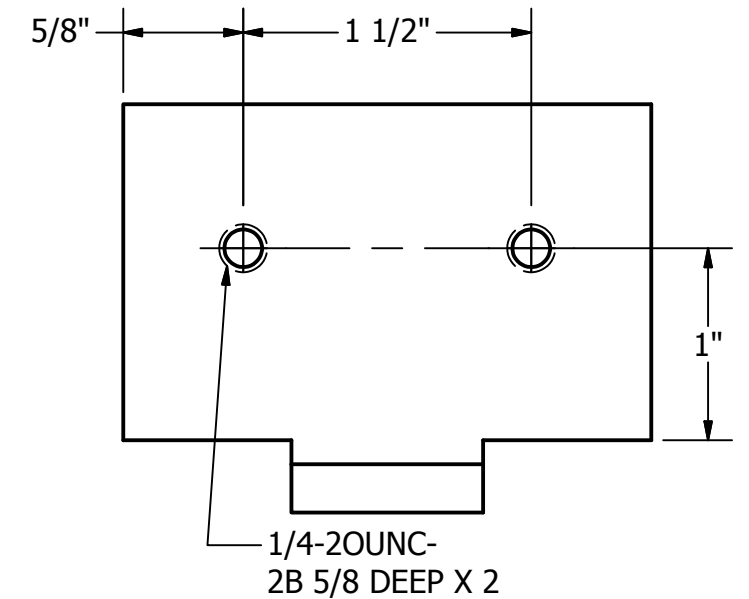
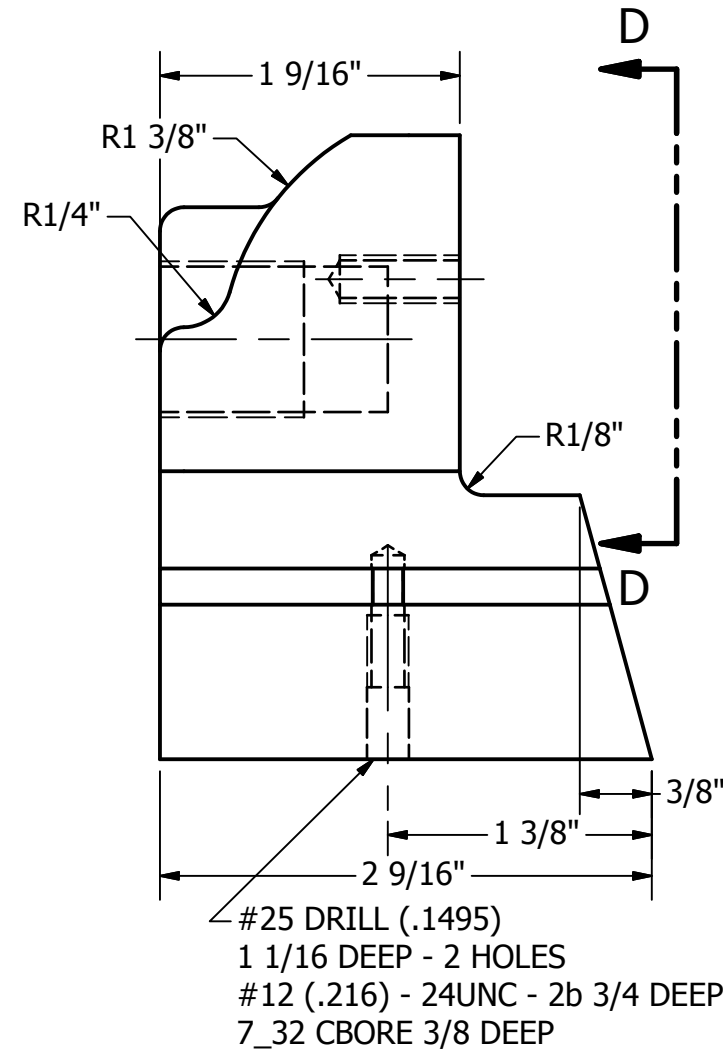
SLIDE KEY
SCALE 1 : 1

DIGITAL DESIGN GRAPHICS TECHNOLOGY	NAME:	JIM KISIEL	DWG NAME:	MACHINE VISE	SHEET NO.
	COURSE:	DDGT 121			4 OF 6
	DATE:	1/27/2011			

PARTS LIST		
ITEM	QTY	PART NAME
3	1	HANDLE ROD
4	2	HANDLE BALL
6	1	WISE SCREW
9	1	SLIDING JAW
11	2	SET SCREW



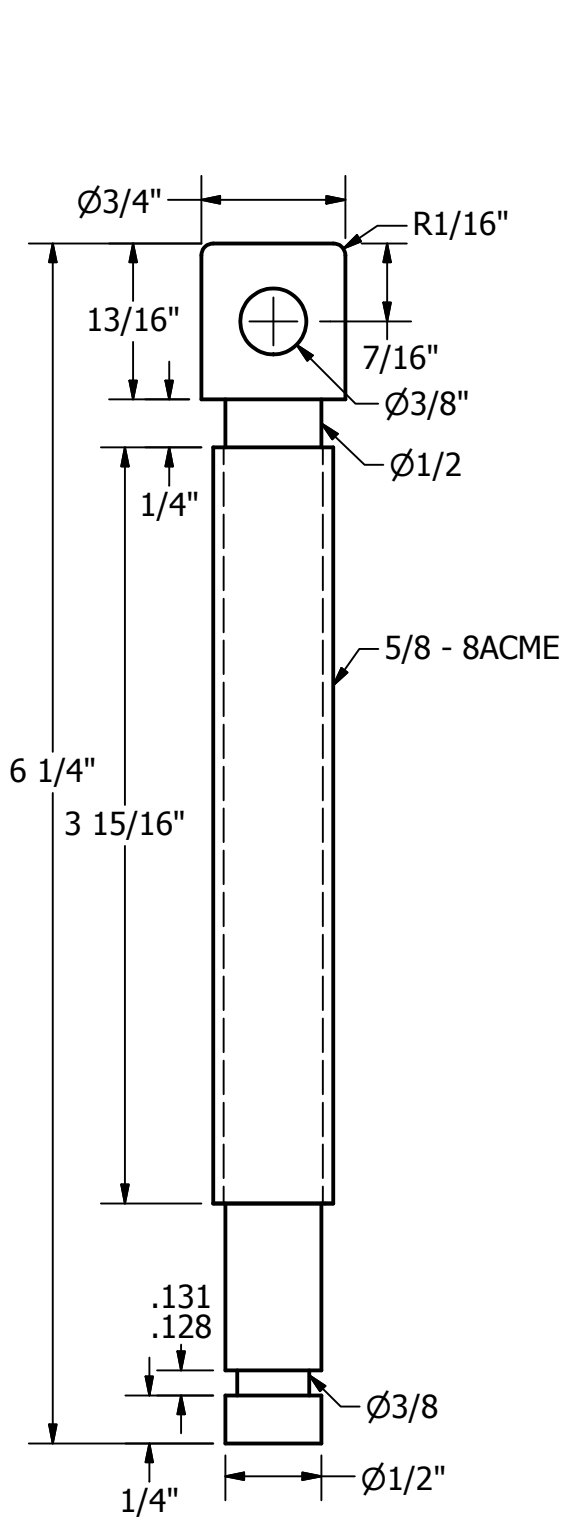
SLIDING JAW
SCALE 1 : 1



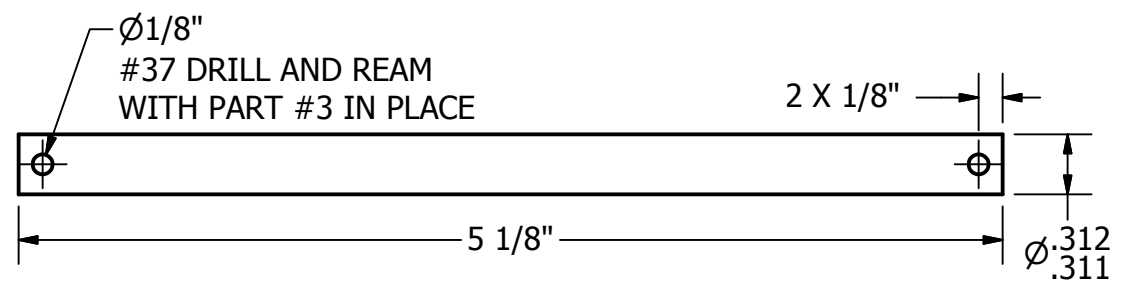
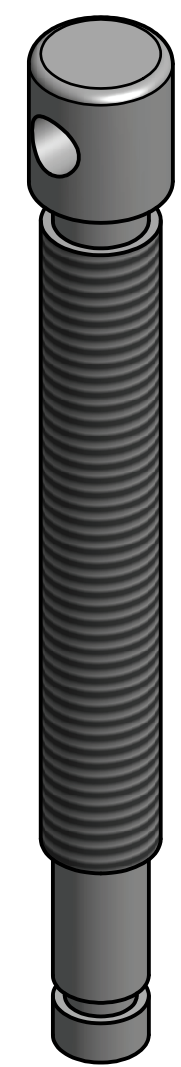
VIEW D-D
SCALE 1 : 1

DIGITAL DESIGN GRAPHICS TECHNOLOGY	NAME:	JIM KISIEL	DWG NAME:	MACHINE VISE	SHEET NO.
	COURSE:	DDGT 121			5 OF 6
	DATE:	1/27/2011			

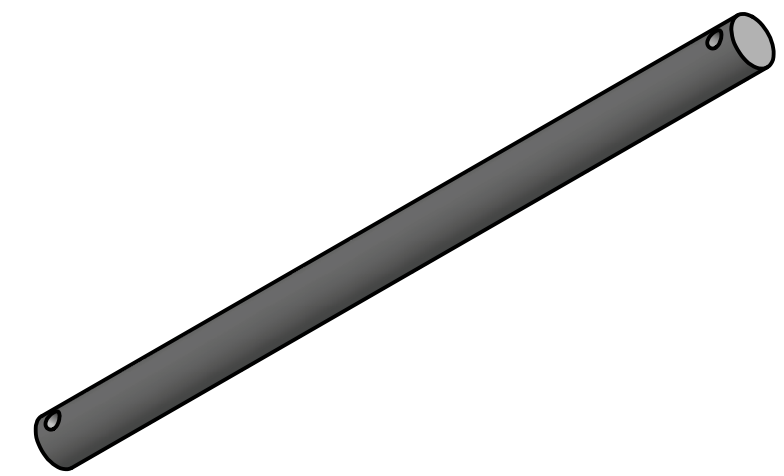
PARTS LIST		
ITEM	QTY	PART NAME
3	1	HANDLE ROD
4	2	HANDLE BALL
6	1	WISE SCREW
9	1	SLIDING JAW
11	2	SET SCREW



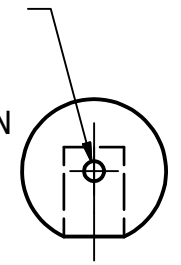
WISE SCREW
SCALE 1 : 1



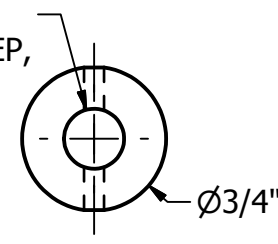
HANDLE ROD
SCALE 1 : 1



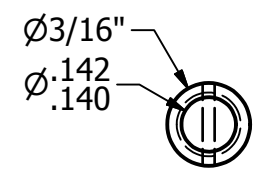
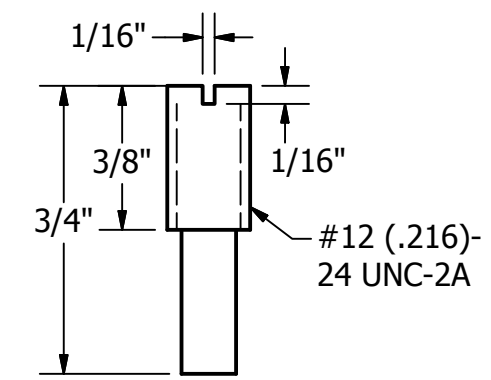
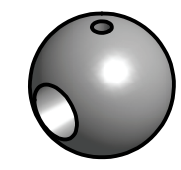
#37 DRILL AND REAM
FOR #000 TAPER PIN
CLEAR THROUGH PEEN
SMALL END OVER



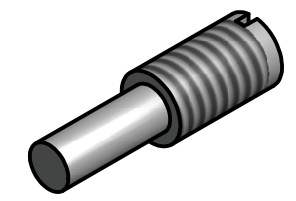
"M" (.295)
DRILL 1/2 DEEP,
Ø.313 REAM
Ø.312



HANDLE BALL
SCALE 1 : 1



SET SCREW
SCALE 2 : 1



DIGITAL DESIGN GRAPHICS TECHNOLOGY	NAME:	JIM KISIEL	DWG NAME:	MACHINE VISE	SHEET NO. 6 OF 6
	COURSE:	DDGT 121			
	DATE:	1/27/2011			